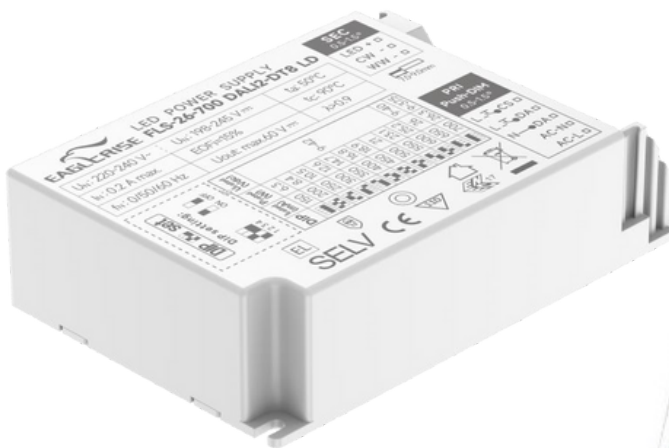


## 26W DALI DT8+ PUSH Dimming power supply



### Features

- For luminaries of protection Class I , II , SELV, built-in
- Input Voltage 220-240VAC
- Protections: SCP/OLP/OVP/OTP
- Power Factor 0.9
- Efficiency 83%
- Support DALI-2, Push Dimming
- 5 years warranty

### Applications

- LED panel, Down light

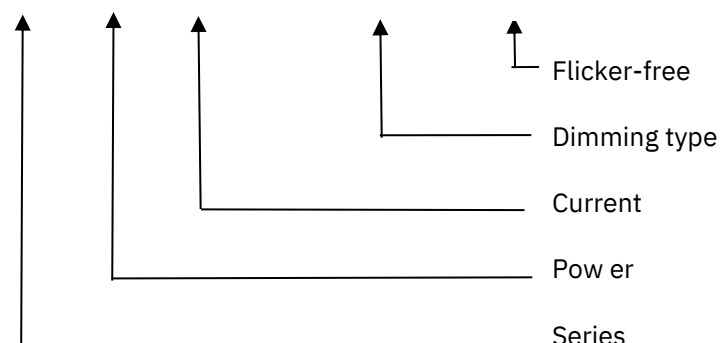


### Description

FLS-26-700 DALI-2-DT8 LD is a 26W constant current LED driver with 150 to 700mA output current and a forward voltage range from 9 to 42Vdc. The output current is adjustable by DIP Switch. With it's dimensions from 110 X 74 X 30 mm it is easy to integrate in LED Panel and down light products. To ensure trouble-free operation, protection is provided against output short circuit and over Load.

### Model code

FLS-26-700 DALI-2-DT8 LD



## Specification

Output	Constant Current	1 50mA	200mA	250mA	300mA	350mA	400mA	...	700 mA	
	Voltage Range	9- 42VDC								
	Unload voltage Max.	6 0VD C								
	Current Accuracy	±5%								
	Output HF current ripple(≥1KHz)	±20%								
	Output LF current ripple(≤120Hz)	±3%								
	SVM	≤0.4@Full Load								
	Pst	≤1@Full Load								
	Efficiency(Typ.)	83%@Full Load, 240VAC								
Input	Rated input voltage	220-240VAC								
	Range of input voltage	176-264VAC								
	Rated input voltage(DC)	176-280VDC								
	Frequency(Hz)	0/50/60 Hz								
	Displacement factor	≥0.9@Full load, 240VAC								
	Power Factor	0.9@220-240VAC, full load								
	Input Current max	0.2A MAX. @Full Load,176VAC								
	Start-up time	<0.5 S								
	No Load Power	≤0.5W								
	Standby Power	≤0.5W								
	Network standby power	≤0.5W								
	THD (Typ.)	10% Typ. @Full Load, 240VAC, Io=700mA								
Dimming	Dimming	YES								
	Dimming mode	DALI-2 IEC 62386-101,102,207,209 & Push								
	Dimming depth	1%								
	Dimming current range	1 ~100%								
Protection	Over Load Protection	103-120% @Io=700mA YES/Auto resume(When there is dimming command input)								
	Over Voltage Protection	>6 0VD C YES/Auto resume(When there is dimming command input)								
	Short circuit Protection	YES/Auto resume(When there is dimming command input)								
	Over Temperature Protection	YES/Auto Resume								
Environment	Operating Temperature	-20°C~+50°C								
	Humidity	20%~90%RH								
	Tc	90°C								
	Storage Temperature	- 25°C~+60°C								
	Life time	>50000h@Tc=80°C								

Surface	Dimension	110X74X30(LXWXH)mm /With side caps :160X74X30(LXWXH)mm
s standards	EN 61347-1;EN61347-2-13; EN62384; EN55015; EN61000-3-2 ; EN61000-3-3; EN 61547;	
Others	ErP	EU 2019/2020
	RoHS	RoHS (2011/65/EU) (EU)2015/863
Note	<p>1.All parameters NOT specially mentioned are measured at 230VAC input , full load and 25°C of ambient temperature.</p> <p>2.Ripple &amp; Noise are measured at 20MHz of bandwidth by using a 300mm twisted pair-wire terminated with a 0.1uF &amp; 47 uF parallel capa citor.</p> <p>3.The DC input for this product is only used for emergency lighting and applies to functional and safety requirements , EMC is not considered.</p>	

## Parameter

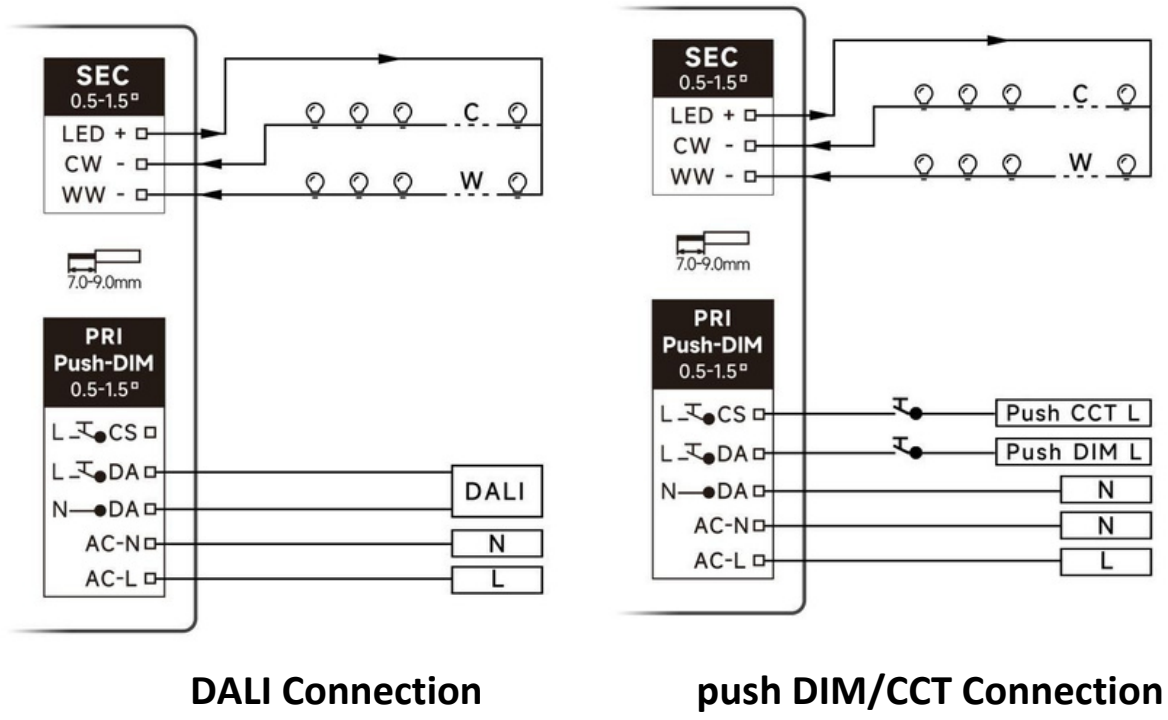
Number	Output	Switch position			
	Current(mA) I1+I2	1	2	3	4
1	150	--	---	--	---
2	200	ON	-	ON	---
3	250	--	ON	ON	---
4	300	ON	ON	ON	---
5	350	--	--	--	ON
6	400	ON	--	--	ON
7	450	--	ON	---	ON
8	500	ON	ON	-	ON
9	550	--	--	ON	ON
10	600	ON	--	ON	ON
11	650	--	ON	ON	ON
*1	700	ON	ON	ON	ON
2					

\* Factory default

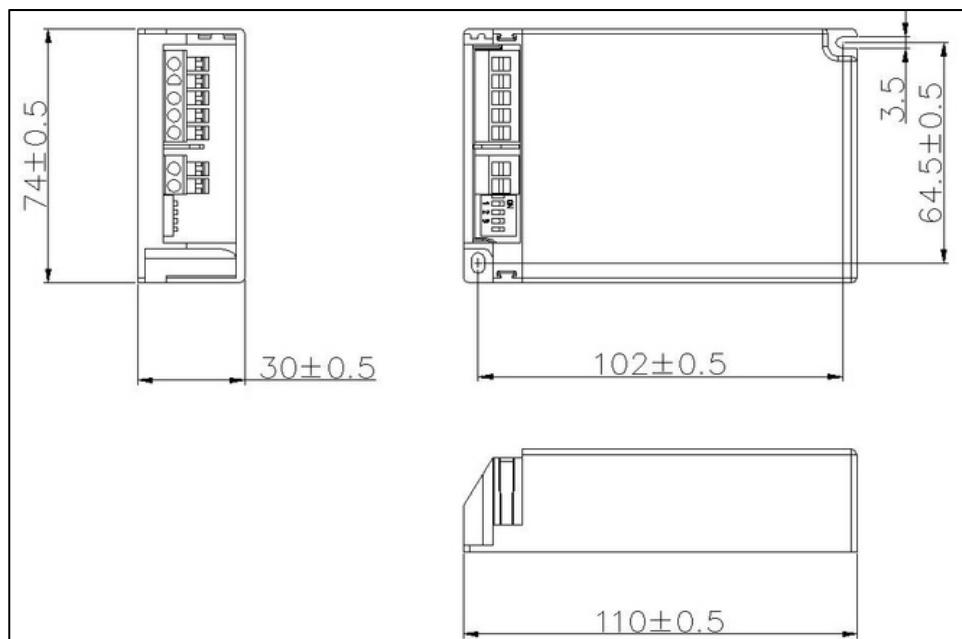
## Circuit Breaker

Ipeak	Tw idth	B10	B16	B20	C10	C16	C20
5.25A	47.2 4 μs	23pcs	37pcs	47pcs	23pcs	37pcs	47pcs

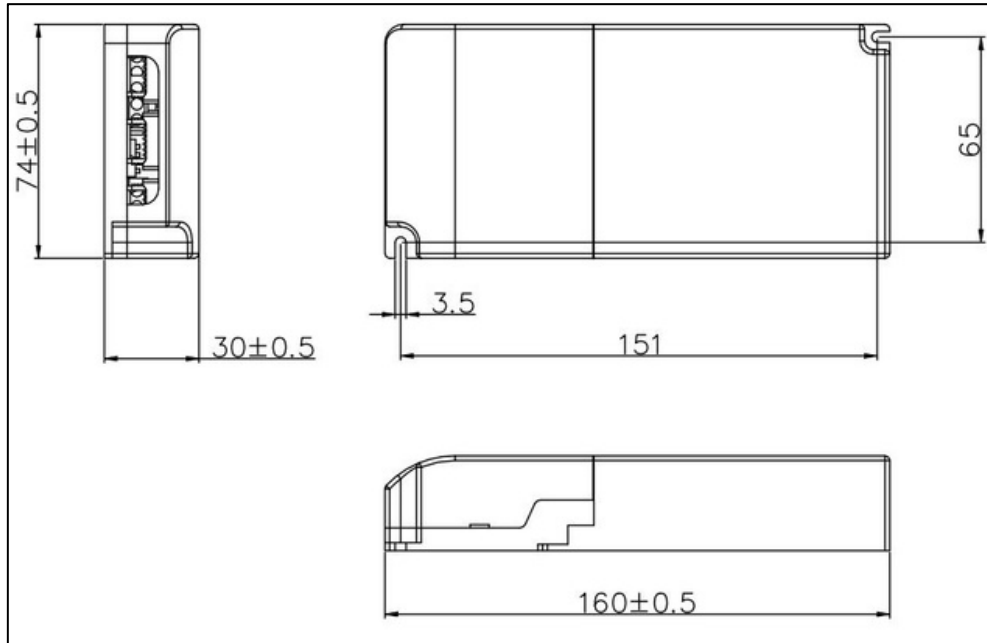
**Wiring diagram**



**2D diagram**



With side caps

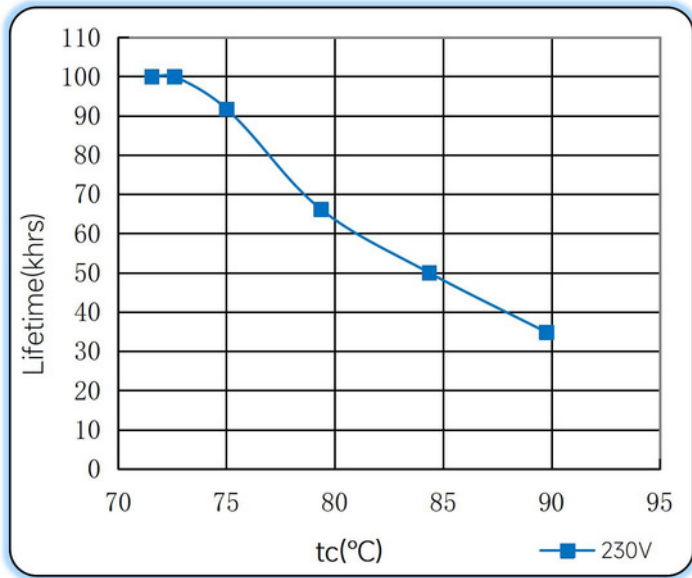


## Wiring & Connections

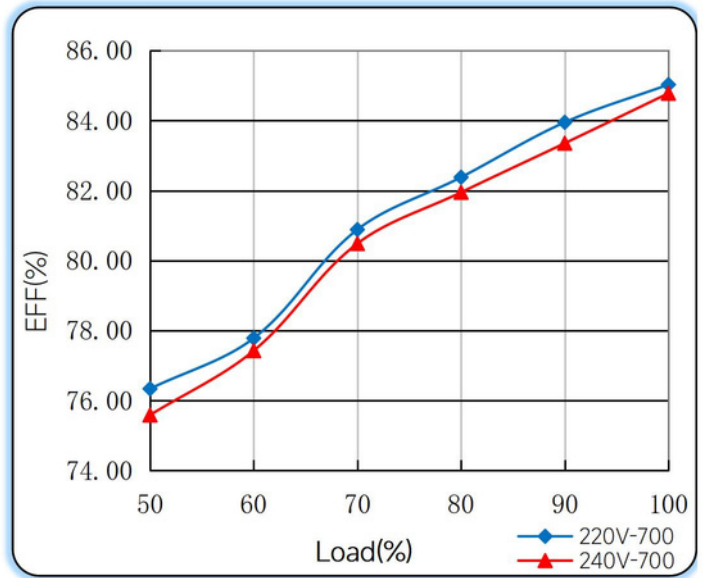
Specification item		Value (Unit)
Input	Input wire cross-section	0.5...1.5 mm <sup>2</sup>
	Input wire gauge.	16...20 AWG
	Input wire strip length	7...9mm
Output	Output wire cross-section	0.5...1.5 mm <sup>2</sup>
	Output wire gauge.	16...20 AWG
	Output wire strip length	7...9mm

**Curve for FLS-26-700 DALI-2-DT8 LD, I<sub>o</sub>=700mA**

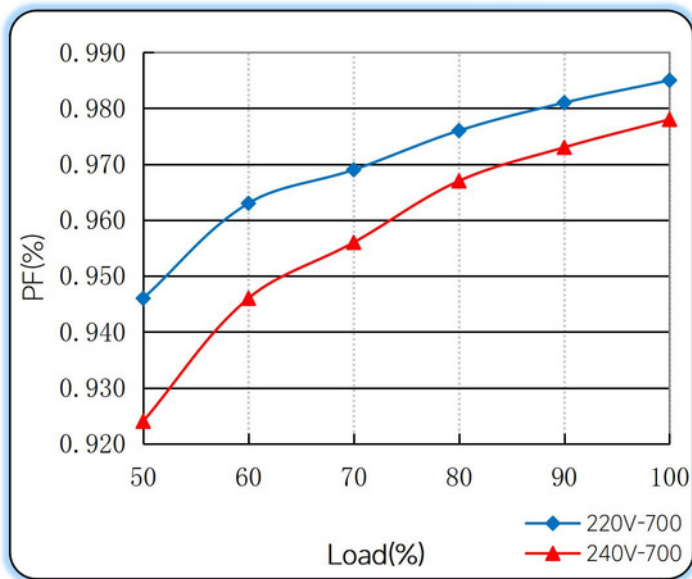
Lifetime vs. Temperature Curve



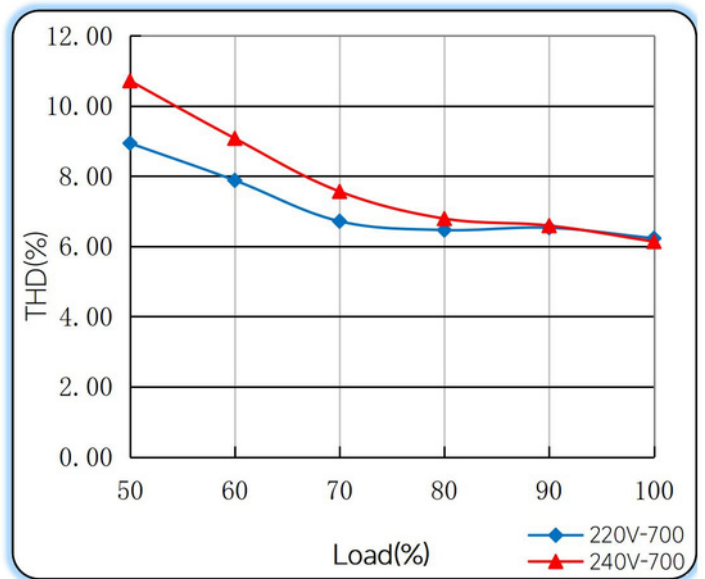
Efficiency vs. Load



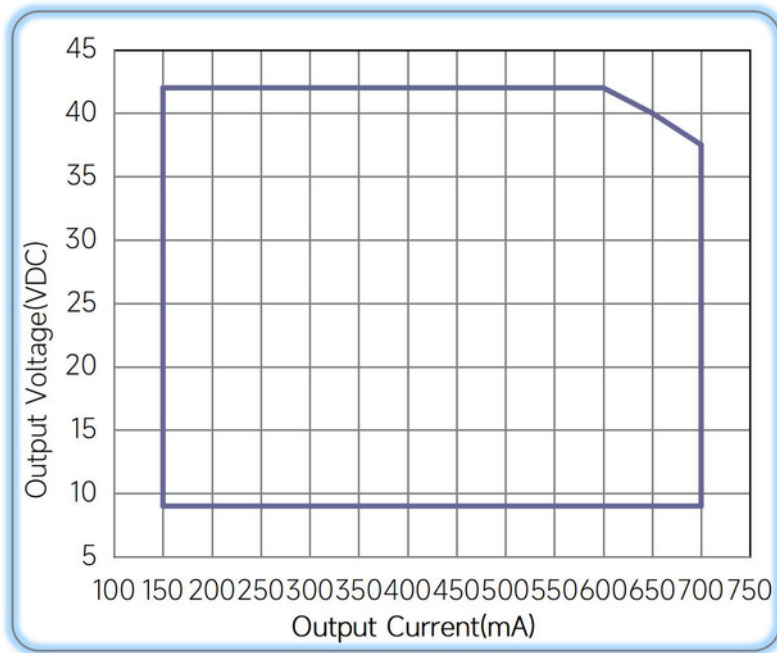
Power Factor Characteristics



THD vs. Load



### Operating window



— Operating window 100%

### Revision Updates

ITEM	BEFORE	AFTER	VERSION	DATE
Initial			A	2022/05/15